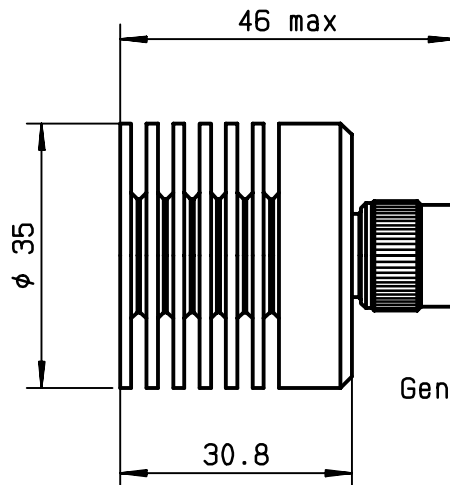


TITLE: 12 W 2GHZ TNC/m COAXIAL TERMINATION

LTR. B

DRAWING



General tolerances: +/- 0.5 mm

ELECTRICAL CHARACTERISTICS

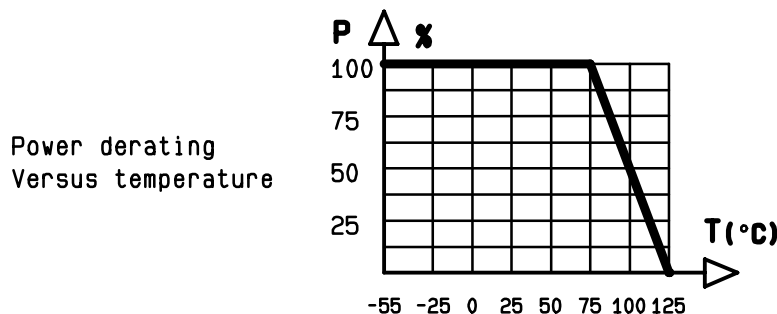
FREQUENCY RANGE	: DC - 2GHz
IMPEDANCE	: 50 Ohms
DC RESISTANCE	: 50 Ohms ± 5%
AVERAGE POWER HANDLING	: 12 W at 75°C
PEAK POWER HANDLING	: 4 kW (1 μs, 1%.) at 25°C
V.S.W.R :	DC - 2 GHz : ≤ 1.10

MECHANICAL CHARACTERISTICS

CONNECTOR	: TNC male per MIL C 39012
MAXIMUM WEIGHT	: 70 grams

ENVIRONMENTAL CHARACTERISTICS

OPERATING TEMPERATURE RANGE (°C)	: -55 , +125
STORAGE TEMPERATURE RANGE (°C)	: -55 , +125



Tentative data subject to change without notice

PEN CAT	QUALITY Dpt App.				
PAGE 1 / 1	DATE 25.11.83	NAME DP	B	New format	22.10.92 PG
			A1	New format	07.08.89 KL
		LTR	REVISIONS		DATE APP.